

# PURETEK® BF Series BF Bag Housing Series

## PT - BF SERIES SINGLE BAG HOUSINGS: #1, #2, #3 AND #4 SIZES

\* Flow rates are for guide lines only, actual flow rates are based on fluid, viscosity, Bag type, micron ratings and other factors. It is recommended if your flow rate is greater than 150 gpm that you increase your pipe size to 3" to reduce the pressure drop across the housing.

\*\* Maximum inlet and outlet port size is 3" for the #1 and #2 size housings.

PURETEK® BF series bag housings are manufactured of 304 or 316 stainless steel and carbon steel. Designed for 150 PSI (10 bar) and for temperatures to 300°F. Protective poly coat over stainless steel is standard finish. Positive hold down spring and adjustable stainless leg assembly are standard features on the #1 and #2 size housings.

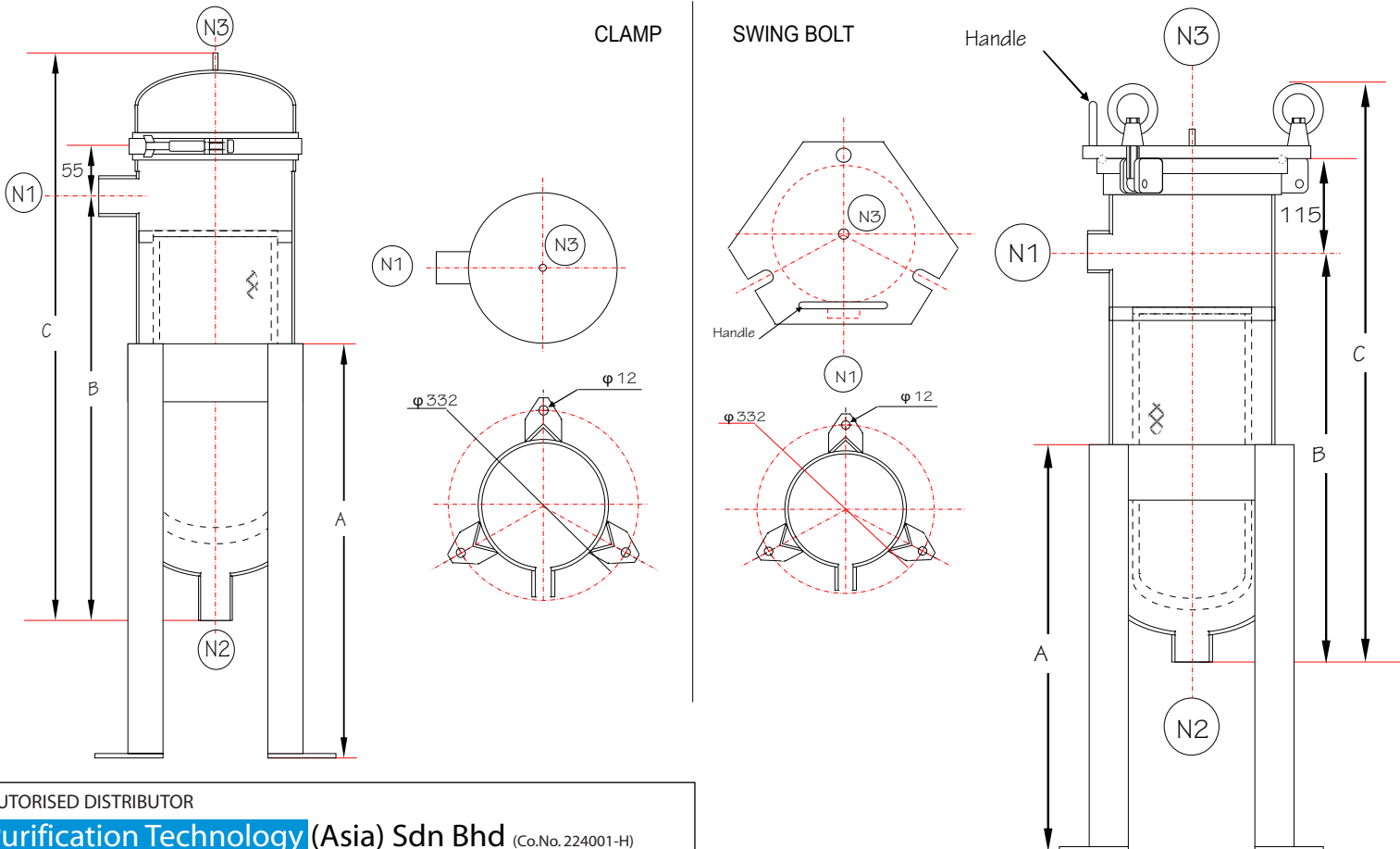
### FEATURES #1 AND #2 SIZE

- ☑ Stainless Steel or Carbon Steel construction
- ☑ 150 PSI rated design
- ☑ Band clamp or swing bolt lid closures
- ☑ Stainless steel compression spring included
- ☑ Adjustable Stainless Steel leg assembly
- ☑ 2" FNPT, side inlet and bottom outlet
- ☑ All housings come standard with Buna O-rings
- ☑ 1/4" NPT gauge ports clean and dirty side
- ☑ 1/4" NPT vent in head with 1/2" NPT bottom drain
- ☑ 1/8" Perf stainless steel basket



### STANDARD DESIGN SPECIFICATIONS

Model	Closure	Bag Size	Flow Rate Gpm*	Std Pipe Size N1 & N2**	Drain	Vent N3	MODEL	A	B	C	MATERIAL
PT-BFS-1	Clamp/Swing Bolt	#1	100	2" FNPT	1/2" NPT	1/4" NPT	PPT-BFS - 1	500 580(C)	515(SB) 755(C)	720(SB)	304/316
PT-BFS-2	Clamp/Swing Bolt	#2	180	2" FNPT	1/2" NPT	1/4" NPT	PT-BFS - 2	700	850 1035(C)	1055(SB)	304/316
PT-BFC-1	Clamp/Swing Bolt	#1	100	2" FNPT	1/2" NPT	1/4" NPT	PT-BFC - 1	1500 580(C)	515(SB) 755(C)	720(SB)	C. STEEL
PT-BFC-2	Clamp/Swing Bolt	#2	180	2" FNPT	1/2" NPT	1/4" NPT	PT-BFC - 2	1700	850 1035(C)	1055(SB)	S. STEEL



AUTHORISED DISTRIBUTOR

**Purification Technology (Asia) Sdn Bhd** (Co.No.224001-H)

No. 36, Jalan TPP 5/2, Taman Perindustrian Puchong, Sek. 5, 47100 Puchong, Selangor Darul Ehsan, Malaysia.

Tel : +603- 80616368 / 80618479 (5 lines) Fax : +603- 80618653 / 80624291

Email : sales\_enquire@puretekfilter.com.my Web : www.puretekfilter.com.my